

Morford Historian

RECORDS AND NEWS OF ALL BRANCHES OF THE MORFORD FAMILY OF AMERICA, PUBLISHED
QUARTERLY

BY MRS. HAROLD L. ADAMS, F.A.S.G., ROUTE 1, BOX 43-C, SHELLEY, IDAHO 83274

Annual subscription, \$6.00

Vol. 5, No. 4

October 1984

THE MORFORDS AND THEIR BOONE KINSMEN

TWO HUNDRED AND FIFTY YEARS AGO next month there was born to a pioneer family in Berks County, Pennsylvania, a boy who was destined to gain enduring fame as one of the greatest, if not THE greatest, woodsman, Indian fighter, frontiersman and folk hero of all time. He was Daniel Boone, born 2 November 1734, the son of Squire and Sarah (Morgan) Boone. His boyhood years were spent roaming the woods, hunting, fishing and trapping. He was 16 when, with his parents, he moved to Virginia, and 19 when they again moved, this time to North Carolina. At the age of 22, he married Rebecca Bryan. It was not until 1769, when he was 35, that he made his first journey into the region which later became the state of Kentucky; four years later he moved his family there, founding the town of Boonesboro in 1775. During the time he was in this area, it was designated as Kentucky County, Virginia, having previously been a part of Fincastle County, Virginia. Subsequently, in 1780, this large county was subdivided into three counties - Fayette, Jefferson and Lincoln; in 1790 by further division nine counties were formed from the previous three: Mason, Bourbon, Woodford, Fayette, Madison, Jefferson, Mercer, Nelson, and Lincoln. In 1796 a portion of Mason County became Bracken County, and this area is where we find the Morford families which intermarried with the Boone family.

It was Daniel Boone's party of thirty axmen who had "trimmed out" the Wilderness Road to make it a wagon road, in 1775, over which were to pass almost 200,000 persons who made their way along the narrow path of what was known as the "Cumberland Gap", thus opening a road from Virginia to the West.

Our interest in the Boone family comes from the fact that in both the Kentucky and the Ohio branches of the Morford family we find instances of the use of "Boone" for middle names, or of "Daniel Boone" as given names. The first known instance of the latter is as early as 1845, when a son, born at LeSourdsville, Butler County, Ohio, to Elisha and Mary (Ward) Morford, was christened "Daniel Boone Morford". [See chart on page 19 of the MORFORD HISTORIAN for October 1980.] It has not been determined whether the name was given because of a Boone intermarriage with the ancestor of one of Elisha's or Mary Ward's parents; or simply because of the couple's admiration for their illustrious neighbor, Daniel Boone [1734-1820].

We do, however, have records of a Morford-Boone marriage in 1859. The groom was John Boone [1834-1902], son of Jesse and Susan (Sharp) Boone. The bride was Mary Frances Morford [1840-1915], daughter of Thomas and Nancy (Patterson) Morford; all of Bracken County, Ky. Children of this couple were Thomas C. 1860, Charles 1864, Anna L. 1865, Squire L. 1856, Augustus Benjamin 1870, Riley W. 1871, Lucy, Martha "Mattie" 1879 (who married William A. Barton), and John E., his dates unknown.

Next was the marriage in 1867 of Tarleton "Talton" Boone [1338-1909], brother of the John of the above record, to Mary Ann Morford [1840-1882], daughter of George William and Sarah "Sallie" (Wilson) Mofford [or Morford]. This couple's children were: Jesse

Tarlton 1867-1897 , Yuma Dallas 1870-1950, Dillard Clinton 1871-1921 , Laurinda 1873-95, Margaret Glenn 1875-1939, and Sarah "Sallie" Thomas 1877-1954. Both of these Boone families were of Bracken County, Kentucky; Tarleton's family remained in that area, but John's descendants were later of Fleming County, Kentucky.

An excellent portrait of Daniel Boone, reproduced on a postcard distributed by the Kentucky Tourist & Travel Division, appears in an interesting article about the frontiersman, by Glenn Kerfoot, in the July 9, 1984 issue of *ANTIQUÉ WEEK-TRI-STATE TRADER*; and the Gilbert White painting of Daniel Boone and Three Frontiersmen is shown on a three-cent stamp issued in 1942 to commemorate the 150th anniversary of Kentucky's admission to statehood in 1792. [It will be interesting to see whether the Post Office will put out another Daniel Boone stamp next month to celebrate Daniel's 250th birthday!]

WHERE DID THIS JAMES MORFORD GO?

JAMES MORFORD, born in 1775, son of Joseph and Elizabeth (Updike) Morford, was of Windsor, Middlesex County, N.J. in 1793; but by 1828 was living in Woodford County, in Kentucky, when he made a deed to Abijah Davis for property in West Windsor Township which James had inherited from his mother. The deed recited that the property had been devised by William Updike, deceased, by will dated 10 August 1780 and by a codicil dated 24 March 1783 to William Updike's daughter Elizabeth, "she being the mother of said James Moffatt". , Despite this misspelling of James' surname, the signature on his deed to Abijah Davis, which was acknowledged in Frankfort, Franklin County, Kentucky, was clearly "James Morford".

James had an elder sister, Ann Morford, born in 1773, who had married, about 1793, to Perine Carson, who died by March 1799 in South Amboy, Middlesex County, N.J., leaving children John Carson, Anne Carson and Catherine Carson. The eldest of these children, John Carson, was living in Boone County, Kentucky, in 1828. We'd appreciate further information as to the later whereabouts of James Morford and his nephew John Carson.

SOMETIMES WE ASK YOU ABOUT MORFORDS; SOMETIMES WE TELL!

WE APPRECIATE GETTING READERS' ANSWERS to the many questions published in the HISTORIAN about various Morfords. One such answer came recently from Audrey Morford of Alhambra, California, who noted in the list of Oregon death records on page 169, the name of her aunt, Edith (Rarick) Morford, who died of tuberculosis of the brain on 28 March 1921, in Portland, Oregon. Edith was the first wife of the late Edgar Clark Morford [1890-1964], and her death took place not long after the birth of a son, William Rarick Morford, who was born 22 September 1920. Soon after his mother's death, William was adopted by his Rarick grandparents, and was brought up under the Rarick surname.

GRAVE OF THE "WAGON-TRAIN MORFORD", HIS WIFE AND ONE SON, LOCATED BY SUBSCRIBER

THANKS TO THE DILIGENCE of our long-time correspondent Mrs. Louise Dunn, the last resting place of Thomas Perrine Morford, the "mystery-man" of the diary of Mrs. Travis Manning, published in the April 1982 HISTORIAN, was found in a series of books of Washington cemetery records prepared by W&C Lahtique for the Eastern Washington Genealogical Society. He was buried in Golden Rod Cemetery, 1 mile south of the town of Tekoa, in Whitman County, a few miles north of Latah County, Idaho, where he was living in 1900. The inscription shows his dates of birth and death as "Feb. 18, 1850 - Oct. 21 , 1915". His son Robert Jay Morford 1896-1959 is also buried there. At this point we just can't resist asking: "Does any one have further information of Robert Jay and other children of Thomas Perrine Morford? What became of Mary G., Harriet, Thomas L., and Garrett L.?"

SOD HOUSE THANKSGIVINGS RECALLED

This was the title of an article which appeared twenty years ago in the *SEATTLE Post-Intelligencer*. Some time ago Miss Golda Morford, now of Clearwater, Florida, sent us a xerox copy of the article. We saved it for this very appropriate time of year, when our thoughts turn to Thanksgiving, pumpkin pies, and roast turkey, with all the fixings. We're sorry we couldn't obtain a copy of the photograph illustrating the article.

"Indians may have played an important role in the first Thanksgiving, but Mrs. Edith Hovey, 83, of Olalla [Kitsap County, Washington] was thankful there weren't any around her house for this one. She had her fill of them as a girl before the turn of the century on the Nebraska prairie. 'The Indians got after my dad and threatened to shoot him if he didn't get off the land,' Mrs. Hovey recalled. 'My father always carried his gun with him.'

Mrs. Hovey's father was John Morford [1845-1935; son of Sidney & Catherine (Crow) Morford], who refused to be driven off his homestead farm near Hubbell, Nebraska. Her maternal grandfather, Joseph Proviene, wasn't so fortunate. Also a Nebraska farmer, he was felled by an Indian arrow while plowing a field.

Mrs. Hovey was pictured as an 11-year-old girl in a photograph included in the late President Kennedy's book, 'A Nation of Immigrants'. A relative of Mrs. Hovey recognized her and her family when the photo was reproduced last month in the P.-I. The photo shows Mrs. Hovey, her father and mother and two sisters and a brother standing in the doorway of their sod home on the Nebraska prairie. She and her brother, Perry Morford, of Canby, Oregon, and sister, Mrs. Ora Price, still living in Nebraska, are the only ones in the picture surviving today.

Although it's implied by the inclusion of the photo in the book that those pictured are immigrants, Mrs. Hovey said this isn't so. She and her sisters and brother were all born in Nebraska, and both parents were natives of West Virginia. Her distant ancestors did immigrate from England.

Mrs. Hovey said the sod house was comfortable and kept warm in the winters by a wood-burning stove. After Mrs. Hovey was married to her late husband, Richard, the couple moved to Wyoming and came to the Puget Sound area in 1927: Hovey died in 1948.

Recalling those early Thanksgivings as a girl in a sod house, in Nebraska, Mrs. Hovey said: 'We always had pumpkin pies and there were pumpkins all around the room with funny faces carved in them. And we always had wild turkey. We used to hear 'em gobbling way off and my father would shoot them.'

But they never had any Indians as guests."

The accompanying picture in the newspaper article showed Mrs. Edith Hovey and her son-in-law and daughter, Mr. and Mrs. Tate Buffington, looking at an old album of pictures and recalling early Thanksgiving days. The Historian's records show that John Morford was born in Pennsylvania (not in West Virginia), 13 April 1845, to Sidney and Catherine (Crow) Morford. He died 18 December at Broken Bow, Custer County, Nebraska, leaving a widow, Martha Ellen (Proviene) Morford, who was born on 4 March 1857 and died 7 September 1950 at Broken Bow.

(Continued on page 174)

The children of John and Martha Ellen (Provence) Morford were:

Edna May, born 4 June 1878 in Hubbell, Neb.; died 27 Nov. 1963; she married George Harvey Carroll.

Edith Rae, born 17 May 1881, at Hubbell, Neb.; died 15 June 1965; she married 21 Sept. 1901 to Richard Joseph Hovey.

Perry John , born 11 July 1888 at Call away, Custer Co. , Neb. ; died 3 Sept. 1968 in Clackamas Co., Or.; married 14 Mar. 1923, at Grand Island, Neb., to Loretta A. McKee.

Ora Permelia, born 8 June 1891 at Callaway, Neb.; died 1 Oct. 1968; she married, 7 Feb. 1912, Josiah Price.

The MORFORD HISTORIAN would appreciate hearing from children or descendants of the four couples mentioned above.

DESCENDANTS OF FOUNDERS OF NEW JERSEY

That is the name of a newly-formed organization whose objectives have been stated as follows:

To establish and encourage fellowship among the descendants of the founders of New Jersey.

To discover, establish, preserve and publish lineal descent from ancestors who aided in the establishment of, or who lived in a settlement within the present boundaries of the State of New Jersey prior to 31 December 1685.

To provide scholarship assistance in a New Jersey college or university to a student of American history with a special interest in the history of New Jersey.

As of the second of September the registrar, Mrs. William A. Smith, 227 Garfield Ave., Avon-by-the-Sea , New Jersey 07717, reported that 115 persons had already been accepted as members of the new organization. Morford descendants are, of course, eligible for membership. The requirement of adequate proof for each name, date, place and event within each generation means that a lot of research work must be accomplished in preparing and documenting application papers. Those of our readers who are interested should communicate directly with Mrs. Smith for further information and application forms.

WHO CAN IDENTIFY THIS PERRY MORFORD?

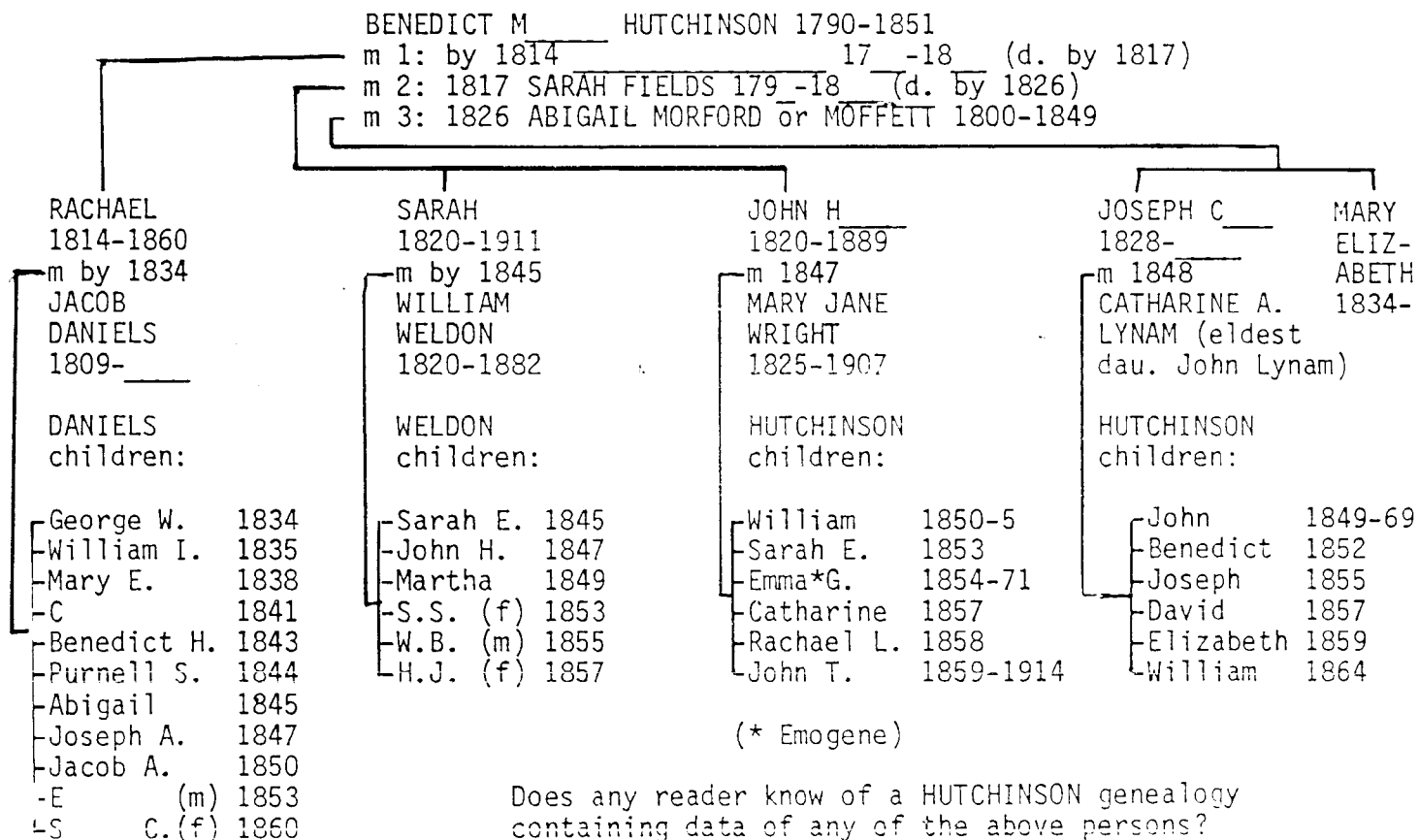
In Vol. 42, Washington State D.A.R. records (1973-74), p. 175 appear records of William Henry and Ida (Gore) Chandler who came to the Willamette Valley of Oregon in 1903. A paragraph giving data of Benjamin Core [1842-1904], and his wife Catherine Johnson gave the fourth child as "Mary Core, married Perry Morford". No further dates were given, but as the marriage of Benjamin Core to Catherine Johnson was in early 1868, it might be assumed that the daughter Mary was perhaps born about 1875, give or take a year or two more or less. We would appreciate hearing from any reader who has further data identifying Perry Morford and listing his children, if any.

A HUTCHINSON FAMILY OF DELAWARE, RELATED TO THE DELAWARE MORFORD FAMILY

BENEDICT M. HUTCHINSON [1790-1851], who lived in Appoquinimink Hundred, New Castle Co., Del. , was a close neighbor of the Morford family of that area, at least as early as 1820, when he was shown in the census enumeration as next-door neighbor to a James Morford, and a near neighbor of Barbary Moffard, widow of Isaac Morford who had died 1817. In March 1826 Benedict was a surety on the marriage bond of an Isaac Morford (probably son of Isaac and Barbara), who married Susan Van Gesel; and just three months later, 119 June 1826, Benedict took as his third wife Abigail "Moffett", born in 1800, who was very likely a daughter of Isaac and Barbara Morford. Twelve years later, Benedict was administrator of the estate of a Cornelius Morford (probably his brother-in-law), who died in 1838.

Benedict and Abigail (Moffett/Morford) Hutchinson, with several of Benedict's children, are interred in Union Methodist Cemetery at Blackbird, New Castle Co. , Delaware. This is probably not far from Fieldsboro, where Abigail's father, Isaac Morford had a home and blacksmith shop on leased land. Is there a cemetery in or near Fieldsboro?

We have been told that there is a family Bible in the hands of a descendant of Benedict and Abigail (Morford) Hutchinson -- possibly a child or grandchild of the Benedict born in 1852 to Joseph C. and Catharine A. (Lynam) Hutchinson. Naturally, we would like to have a transcript (or preferably a photostatic or xerox copy) of the family record pages of this Bible, for reproduction in MORFORDS OF AMERICA; and will appreciate hearing from anyone who has access to these records and can assist us in obtaining a copy. Below is a chart of Benedict Hutchinson's known children and grandchildren -- we'll be happy to correspond and exchange data with any of their descendants.



SOME EARLY UNIDENTIFIED MORFORDS

BENJAMIN MURFORD, born ca 1752-66; in 1790 resided in the part of Washington Co., Pa. , which later became Greene County, Pa.; family consisted of himself, 3 males under 16, 4 females. Not in Pennsylvania 1800 census index under any variant spelling.

BENJAMIN MOFFORD, married 1810, in Franklin Co., Ky., FRANCES WITHERSPOON.

BENJAMIN A. MORFORD, born ca 1770-1780; resided in Woodford Co., Ky., in 1820.

CHARLES MORFORD, born ca 1760-94; was of Northampton, Genesee Co., NY, in 1810.

DANIEL MORFORD, took oath of allegiance in Washington Co. , Md. , 1778. [We believe he may have been the Daniel [1740-1833], Revolutionary War soldier from NJ who was later of Kentucky and who died in Ohio in 1833.]

DANIEL MAWFORD and JOHN MAWFORD, in 1793 tax list, Cumberland Twp, Washington Co., Pa.

DANIEL MORFORD, with wife, son and daughter, was of Tewksbury Twp, Hunterdon Co, N.J. in 1830; he was born ca 1770-1780.

ELISHA MORFORD, born ca 1780-1790; of Amwell Twp., Hunterdon Co., N.J. in 1830.

ELIZABETH MORPHET, of Somerset Co., N.J., married PAUL GALTRIE; their daughters Margaret and Anna were baptised in 1791 and 1793, respectively.

GARRET L. MORFORD, SR., born 1788; married EUNICE WOOD; was of N.J. and Mich.; may have been a son of Joseph Morford of Freehold, Monmouth Co., N.J.

GARRITT MORFORD, co-executor with George Allen of estate of Henry Allen of Shrewsbury, Monmouth Co., N.J., in March 1753.

GEORGE MOREFIT, married before 1755 ELIZABETH HALEY (daughter of John Haley of Kent Co. , Md. , who died in 1756).

GEORGE MORFITT, born by 1756 or earlier, a Revolutionary War soldier, Maryland.

HARMAN MORFORD, born 1747, was age 30 in 1777 when he served in N.J. Militia.

HENRY MORFIT, born ca 1750/60, was of Philadelphia, Pa. in 1830.

HENRY MORFIT, born ca 1760/70, was of Middletown, Monmouth Co. , N.J. in 1830.

ISAAC MORFORD, a Revolutionary War soldier, Hunterdon Co. , N.J.

ISAAC MORFORD, of Nottingham Twp., Burlington Co., N.J. in 1795.

JACOB MORFORD, on list of voters, 1792 election, Botetourt County, Va.

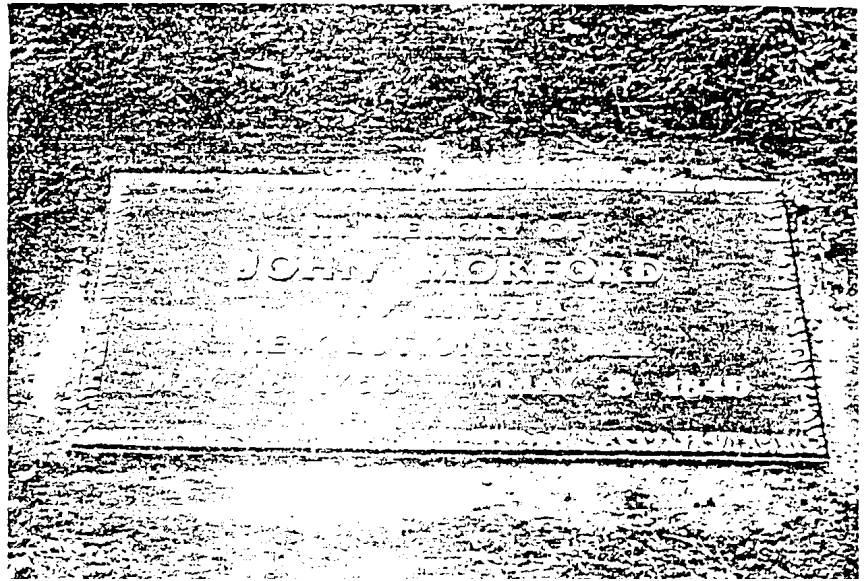
JAMES MORFORD, in tax ratable list, Perth Amboy, South Ward, Middlesex Co., NJ 1770-80.

JAMES MORFORD, in N.J. Militia, Windsor Twp., Middlesex Co., N.J. 1793, age 18

(To be continued in January 1985 issue)

PROGRESS ON MORFORD SOLDIERS' GRAVE MARKERS

AFTER A L-O-N-G WAIT, the Government marker ordered in February for Revolutionary War veteran John Morford [1758-1840] finally arrived, and in September it was set in place in Oakwood Cemetery in Sharon, Pa. Family members appreciate the assistance of the Sharon Red Cross office, which placed several telephone calls to expedite delivery. The pictures shown here were taken by Myron Morford and sent to us by his sister, Beatrice (Morford) Bell, of Kinsman, Ohio, who reported that all of the nearby relatives interested have visited Oakwood to see and admire the marker. As it is rather late in the year to organize a gathering which might be attended by descendants living at a great distance, perhaps one may be arranged in mid-1985 when the weather is better and travelling more pleasant for those who have to come from distant points.



The photograph below shows where the new marker lies with respect to other burials in the grave plot wherein were interred the veteran's grandson Vanransler Vance Morford [1827-1903] and his second wife, also Vanransler's parents, John Morford [1796-1877] and Theresa (Perrine) Morford [1798-1879]. For some unknown reason, their gravestones, so weathered that the lower portions of the inscriptions are barely legible, face in the opposite direction from the larger monument and the new marker. Special thanks are XXXXXXXX Alma Blahna, a descendant XXXX as to the location of the Revolutionary veteran's grave sparked the

Historian's interest and to John Bell Morford of Kinsman, Ohio, who furnished the pension papers so that the application could be written up by the Historian and sent to the Veterans Administration office in Washington, D.C.; also to all contributors to the marker fund.

As to the proposed marker for Civil War veteran John Morford [1821-1875], great-great-grandfather of the Morford Historian's husband, Harold L. we received a nice grand letter from the superintendent of Monmouth City Cemetery, where our John was buried, indicating that since the original gravesite is unknown the marker will be placed in the veterans' section of the cemetery. We'll try to time our application so that the marker may be set in place during good weather. More about this in a latter issue!

NEW JERSEY MORFORDS WHO SERVED THEIR COUNTRY IN THE REVOLUTIONARY WAR

Original records on file in the Archives and History Bureau, New Jersey State Library, Trenton, N.J. , include the following Morford, Morfort, Mofford names, of soldiers who were known to have served in the Revolutionary War. It is unfortunate that these data are so scanty; but perhaps some readers will recognize an ancestor's name and be able to furnish sufficient additional data in proof of the soldier's identity, thus enabling descendants to apply for D.A.R. or S.A.R. membership. We begin with New Jersey, since it was the original location of the, early Morfords, and will include other localities' records as they are found.

DANIEL MORFORD, Private, Capt. Barr's Company, 1st Reg't., Middlesex Co. Militia, 1776; served tours until 1778. Resident of Middlesex Co. , N.J. , aged 36 years when entering service; resided in Brown County, Ohio, in 1833 at time of his death.

HERMAN (or HEMAN or KARMAN?) MORFORD, Private, Capt. John Sebring's Company, 2d Reg't. , Somerset County Militia; in active service under the command of Colonel Seely, July 31 to August 23, 1780. Received certificate No. 161, dated May 10, 1784, and signed by William Verbryck, for £0:16:3, for the depreciation of his continental pay in the Somerset County Militia.

ISAAC MORFORD, received certificate No. 1526, for £0:6:8, for the depreciation of his continental pay in the Middlesex County Militia.

JAMES MORFORT, Ensign, Middlesex County Militia, under Captains Williamson and Perrine, from 1775 to 1777. [Reference: U.S. Pension, Widow No. 4319 of Christopher Hartman, and Invalid U.S. Pension No. 32247 of John Fisher. Note: There is no other record of service for this man than the pension claims given as references.]

JOHN MORFORD, Private, 1st Regiment, Monmouth County Militia, under Captain Hankison, Henry Waddell , and John Walton; in active service--under Capt. Waddell on a march to Amboy, April 5 to April 12, 1776 - under Capt. Hankinson, February 28 to March 29, 1777 - under Capt. Walton, June 12 to July 9, 1780. Received certificates as signed by Thomas Henderson for the depreciation of his continental pay in the Monmouth County Militia, as follows: No. 636, dated May 1, 1784, for £2:18:4, and No. 881, dated May 1, 1784, for £2:10:0.

JOHN MORFORD, Private, 3rd Regiment, Middlesex County Militia, under Captains Piatt, Perrine and Chambers; served tours from 1776 to 1778; was at battle of Monmouth, June 18,. 1778. Received certificate No. 1415, for £0:15:5, for the depreciation of his continental pay in the Middlesex County Militia. Resident of Middlesex County, age 18 years. Invalid U.S. Pension No. 2877.

JOSEPH MORFORD, Private, Capt. Joseph Stillwell's Company, 1st Regiment, Monmouth Co. Militia; taken prisoner, Feb. 13, 1777; received prisoner's pay from Feb. 13, 1777 to Sept. 13, 1777. Received Certificate No. 578, dated May 1, 1784, and signed by Thomas Henderson, for £8:2:6, for the depreciation of his continental pay in the Monmouth County Militia.

JOSEPH MORFORD, Private in a troop of the Monmouth County Militia. [Reference: U.S. Pension Invalid No. 23297 of Matthias Lane. Note: There is no other record of service for this man than the invalid pension claim given as reference.]

(To be continued in January 1985 issue)

A MORFORD WHO, THUS FAR, HAS REMAINED AN ENIGMA

The first record we have of SQUIRE THOMAS MORFORD is his marriage, 27 June 1849, in Chester, Butler County, Ohio, to Emeline Van Blair [1827-1877]. She may have been a daughter of William Van Blair, enumerated in the 1850 census of Fairfield Township Of Butler County. Squire T. Morford was said to have had a twin brother, name not stated, who died during the Civil War from drinking poisoned water. Squire's given name might suggest a possible connection with the famed Boone family in which that name appears.

Squire T. Morford enlisted in the "War of the Rebellion" (as stated on his children's Declaration for Pension) , serving in Company F, 37th Infantry, Indiana Volunteers; he died 10 August 1863 at Numa, Park County, Indiana. His widow survived him a little over 14 years , dying 14 October 1877 at Quincy, Adams Co., Ill.; she was buried there in Woodlawn Cemetery. We have sketchy records of her 8 children , as follows:

- (1) Rachel , married by 1877 to a Mr. Haise; had a daughter Loretta [1874-1912] who married a Mr. Sliney and lived in Indianapolis , Ind. There was another Haise daughter who by her second marriage had a son, Carl Hudson.
- (2) Cora, dates unknown, died in infancy.
- (3) Mary Elizabeth "Lib" , born 1852/3, married a Mr. Talcott; she died in Kansas City, Kansas. Their daughter Anna married Herbert Moyer and had two children, Herbert and Marjorie T. The Moyers lived in Olathe, Kansas in the 1950s.
- (4) Squire Thomas , Jr. [1857-1914] married Jeannette Caroline Love. There were five children (MORFORD): Nellie Frances [1881-1958] , married Charles Roberts; Thomas Raymond, b. 1888, married 1911 Mabel St. John; Grace Mae, b. 1889, married Henry M. Dirks; Charles Henry [1895-1943], married Florence Aldag; and Scena, born 1900, married Merle L. Hair.
- (5) Augustus [1858-19__], died at Jacksonville, Morgan Co. , Ill., probably unmarried.
- (6) Laura Frances [1860-1938] married three times: 1st, Samuel Arteburn; 2d, William Sien, 3d, Mr. McHugh. She was a member of the Church of Jesus Christ of Latter-day Saints. She had a daughter Rose [1876-1926] and a son Standard McHugh [1893-1915].
- (7) Ellen " Ella" [1862-1925], married 1st, Mr. Dodd; 2d, Fred Smith.
- (8) Emeline [1863-19__], married by 1889 Mr. DeBuest.

We shall be glad to hear from any one who can add to our knowledge of this family !!

NEWS OF MORFORDS AND THEIR DESCENDANTS

MIRIAM (MORFORD) PETERSON, of Seattle, Washington, a descendant of the "Greene Co. Pa. Morfords, now Regent of Lady Stirling Chapter, D.A.R. , has had a busy two years during which she was involved in the arrangements for the Women's Olympic Marathon Trials, held at Olympia, Washington, on May 12, 1984. Due to use of volunteer help instead of paid workers, a million-dollar event was produced for half that amount; thus the West won the bid over those of larger eastern cities, and selected the team that represented the U.S. in Los Angeles, this summer. The course ran through 26 miles of scenic beauty in the neighborhoods of Lacey, Tumwater and Olympia ... the temperature of 56 degrees was just one degree higher than the 55° said by sports doctors to be the ideal running temperature; and as air pollution in Olympia is so slight it isn't even recorded, the race, as one contestant put it, was a pure joy in the clean arid fresh air-. Security for athletes was provided by 3,700 volunteers who trained long hours for any possible emergency; our U.S. Military contributed equipment and expertise; many doctors were on the course. We should all be tremendously proud of our cousin Miriam. Three cheers!!

MORFORD HISTORIAN WELCOMES PICTURES AND NEWS ITEMS OF MORFORDS AND THEIR DESCENDANTS!!

WHAT WILL "MORFORDS OF AMERICA" LOOK LIKE?

Many readers of MORFORD HISTORIAN are probably wondering what our proposed set of volumes giving the history of the Morfords will be like. When we published our award-winning book, "ANCESTORS AND DESCENDANTS OF JEREMIAH ADAMS 1794-1883", in 1974, we had spent considerable time examining the style and format, as well as the contents, of a number of books dealing with the records of families. From these, we selected all of the special features we admired which seemed to be essential to a first-class writing, printing, and indexing job, with appropriate illustrations, portraits, maps and charts delineating the various family groups. Having set our standards, we intend to do just, as good a job, if not better, in publishing MORFORDS OF AMERICA.

In order that the Adams book might be made available to many more readers than just those who visit the Genealogical Society's library in Salt Lake City, we recently gave permission to the Society to microfilm our Adams book. So now, if there is an LDS Branch Genealogical Library in your town, or in a nearby location, it will be possible for you to borrow the microfilm [call number: GS 1,035,6051] for a two-week loan for a modest fee, usually about \$2.50 (it varies with the different branches, of course), and see just what to expect as to the format and quality of MORFORDS OF AMERICA. Too, from a reading of the book, you may judge what types of information you should provide us in order to give an adequate and interesting history of your own branch of the family. Please take time soon to order this microfilm at your local LDS Branch Library; then send us your own Morford data, and any pictures or documents you'd like to have reproduced in the book. As a target date, how about planning to furnish your records and illustrative material by the first of May, 1985?

THE EDITOR'S CORNER: The highlight of a very busy summer was our week's visit to the Yakima Valley, Moses Lake area, and Spokane, to visit some of many descendants of Harold's great-uncle, John Morford, who came to Washington while it was still a Territory. We had with us a huge (7" x 30") Morford chart showing John, his 16 children and 280+ descendants, and were able to add a few names as we visited the relatives. We spent a pleasant day at the home of P.C. "Dan" and Louise (Morford) Daniel, Harold putting in his time copying family pictures, while I visited with Louise and her brothers Wes and Wally. Additional Morford data were garnered at the library and courthouse, as well as at Zillah and Tahoma cemeteries. From Yakima we went on to visit in Ephrata with Barry and Nita Morford at their Chevrolet-Datsun agency; next day we visited Don and Eileen Morford in Spokane, before heading south to Lewiston, Idaho, for the annual meeting of the Idaho Mayflower Society. We're sorry our limited time didn't permit us to see more of the Yakima and Spokane Morfords The Thanksgiving and Christmas holidays will soon be here, so let us remind you, as you have your family get-togethers, to select one or more members of the family to gather pictures, old family letters, Bible records, and lots of histories to be sent in for use in MORFORDS OF AMERICA. Re-read page 80 of our April 1982 issue; also the third paragraph of page 99, Oct. 1982, for some ideas as to how to make your history come alive; and, finally re-read the last 13 lines of page 140, October 1983. . . T-H-E-N --get busy writing your own family's history. We can't invent it -- you have to tell it!



P.S. Subscription renewals are due
in December!

Happy holidays to all you Morfords!

Enid